

QBE Image Requirements

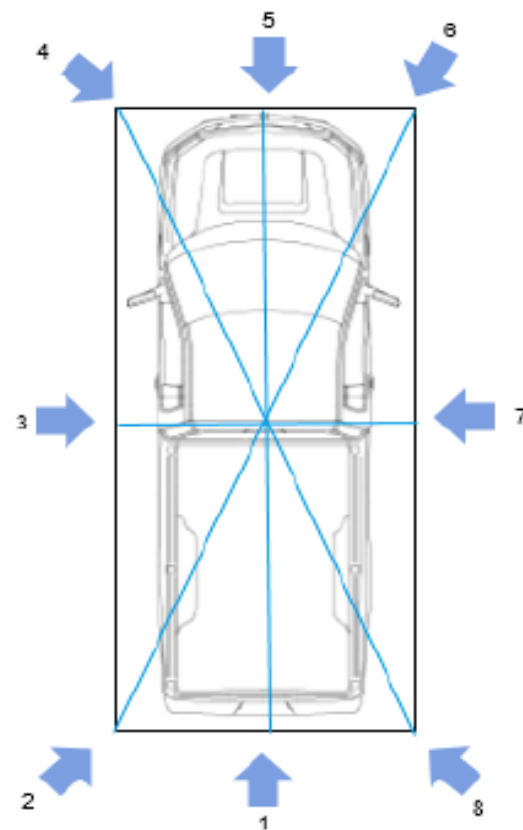
There are some points to remember when taking photographs for a claim.

- Images are required to be of clear and of good quality
- Images must be uploaded into Assessing platform
- Check the image quality before uploading
- Claim damage identified
- Old or inconsistent damage identified

Start from the rear of the vehicle image 1, then travelling around the vehicle clockwise to image 8

In addition all vehicle identifiers must be imaged, these include:

- Speedo showing km's travelled
- Chassis number
- Vin identification labels
- Transmission type
- Interior condition if required



Heavy Vehicle